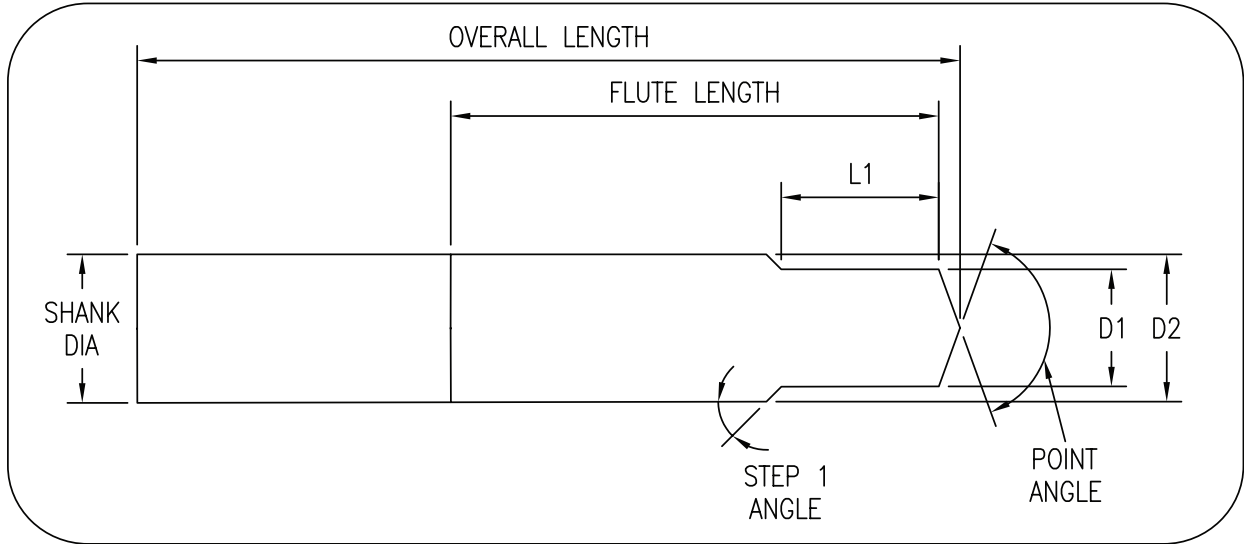


# Carbide Step Drill



Overall Length: \_\_\_\_\_ Step 1 Angle: \_\_\_\_\_  
 Flute Length: \_\_\_\_\_ Coating: \_\_\_\_\_  
 Shank Dia.: \_\_\_\_\_ Number of Flutes: \_\_\_\_\_  
 D1: \_\_\_\_\_ D2: \_\_\_\_\_ Flute Type:  Straight  Spiral  
 Point Angle: \_\_\_\_\_ L1: \_\_\_\_\_ Coolant Holes:  Yes  No  
 Material Being Machined: \_\_\_\_\_

Comments: \_\_\_\_\_  
 \_\_\_\_\_  
 \_\_\_\_\_

Please include your blueprints.

Quantities Needed For Quotation \_\_\_\_\_  
 Customer Part # \_\_\_\_\_  
 Marking/Label Requirements \_\_\_\_\_  
 Approval Drawing Required:  Yes  No

Name: \_\_\_\_\_ Title Position: \_\_\_\_\_  
 Company Name: \_\_\_\_\_  
 Phone #: \_\_\_\_\_ Fax #: \_\_\_\_\_ e-Mail: \_\_\_\_\_  
 User  Distributor  
 Address: \_\_\_\_\_  
 City: \_\_\_\_\_ State: \_\_\_\_\_ Zip: \_\_\_\_\_